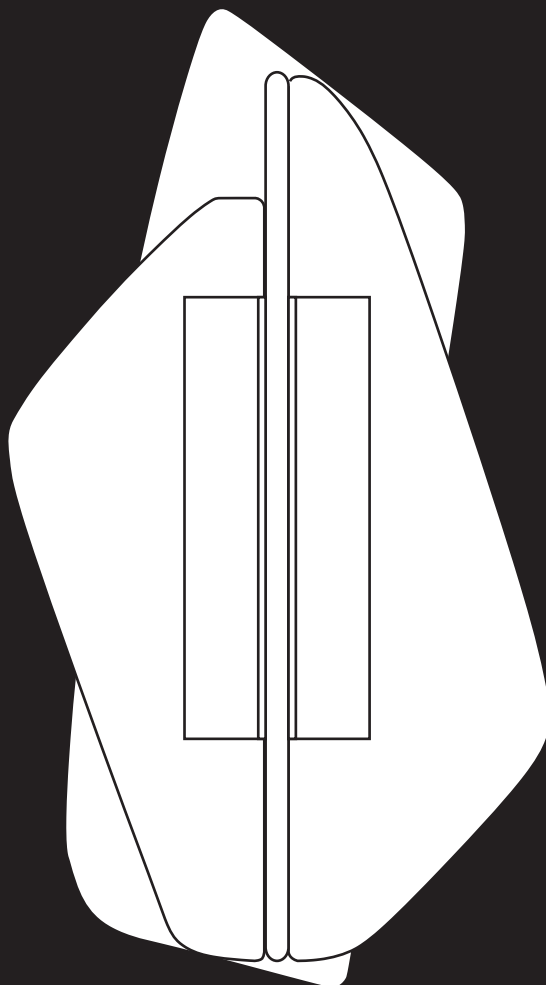


FOLIO WALL LIGHT

INSTALLATION INSTRUCTIONS

1 OF 7



WHAT IS INCLUDED

1. Wall fitting
2. Glass
3. Long allen key

WHAT YOU WILL NEED

1. Screws
2. Screwdriver (3.5mm / 1/8" flat tip) + pliers
3. Soft cloth
4. Allen Key

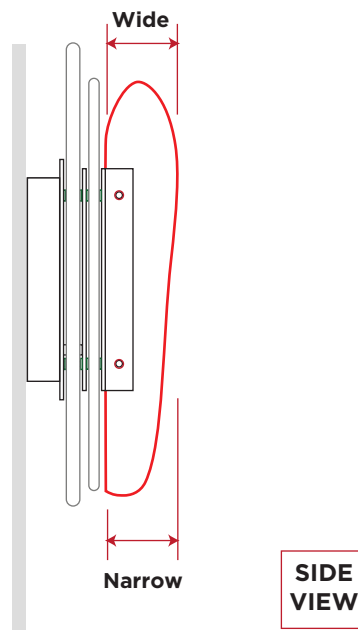
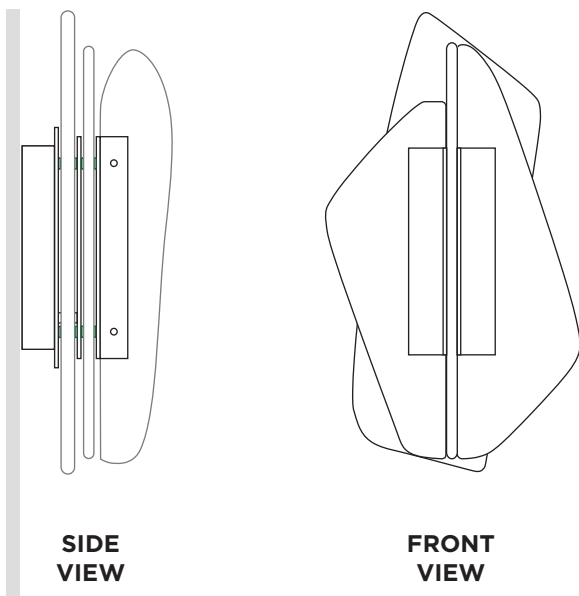
WEIGHT
LED 10KG (22lb)

FOLIO WALL LIGHT

INSTALLATION INSTRUCTIONS

2 OF 7

BARONCELLI 

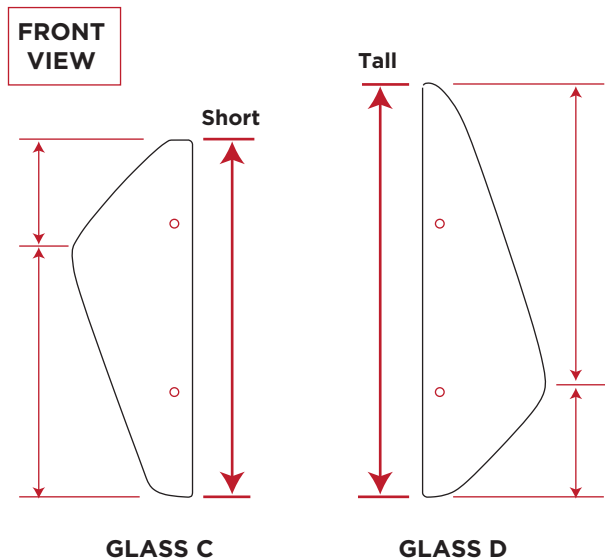


STEP 1

Ensure the final appearance of the wall light is as the same as shown on the diagram. Each glass elements have smooth / textured surface. Smooth side always faces away from the wall (see also STEP 4 - STEP 6).

GLASS A

Ensure the wide part of the glass is at the upper side of the glass. (See also STEP 3).

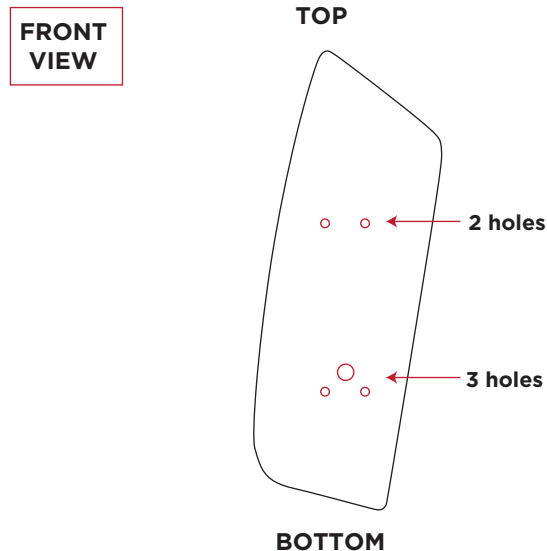


GLASS C

GLASS D

GLASS C & D

Each glass elements have smooth / textured surface. Ensure smooth side faces away from the wall. (see also STEP 4)



GLASS B

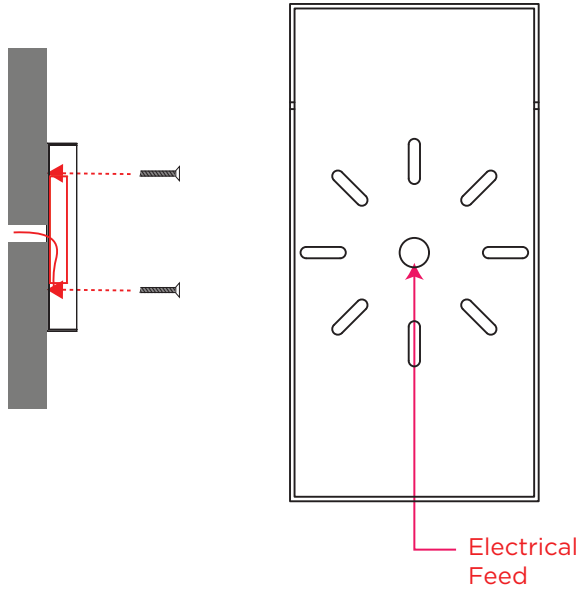
Glass B has smooth / textured surface. Ensure smooth side faces away from the wall. (see also STEP 6)

FOLIO WALL LIGHT

INSTALLATION INSTRUCTIONS

3 OF 7

BARONCELLI ⌘

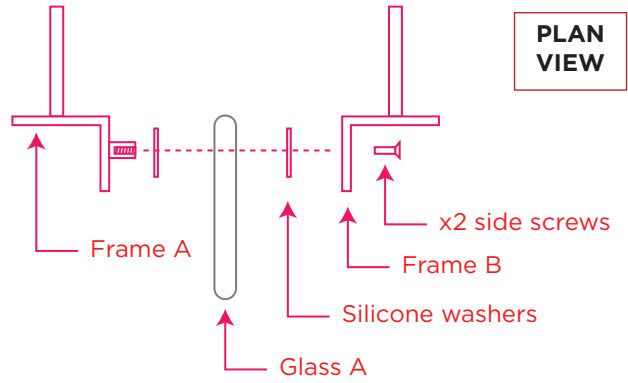


STEP 2

Pass the main electrical cable through the feed on the bracket plate and secure to the wall. Wall must be capable of taking the relevant load.

NOTE: SCREW FIXINGS ARE NOT SUPPLIED

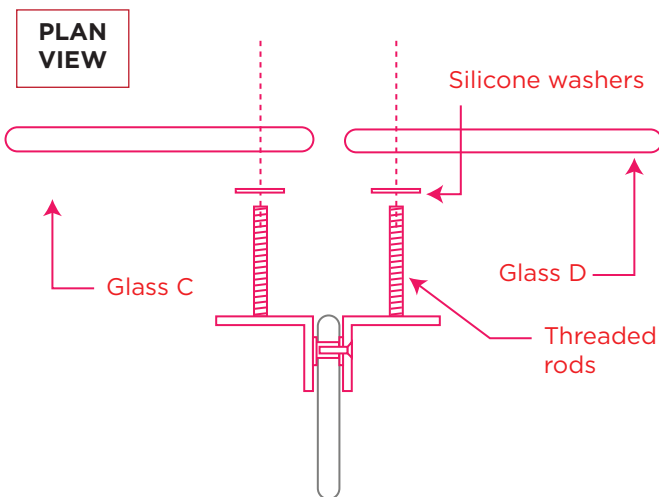
See P.4 for the assembly overview



STEP 3

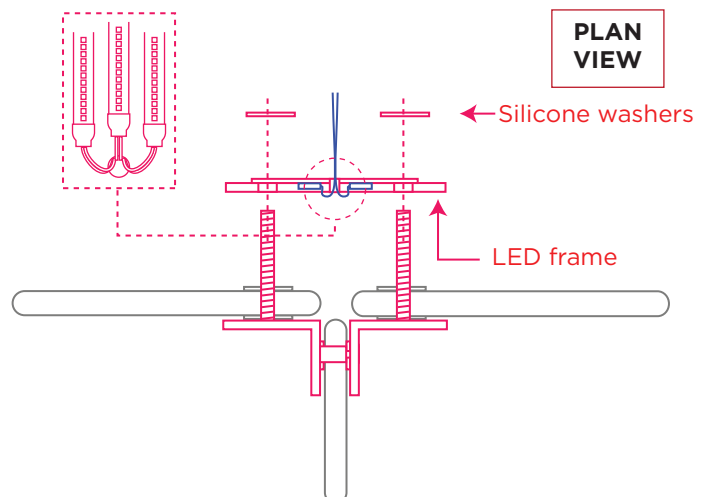
Pass the front bracket frame through Glass A and secure using 2 x side screws.

NOTE: USE SILICONE WASHERS BETWEEN GLASS



STEP 4

Pass the threaded rods through glass C and D. Ensure silicone washers are used between the glass and the frame. Secure using nylon washers.



STEP 5

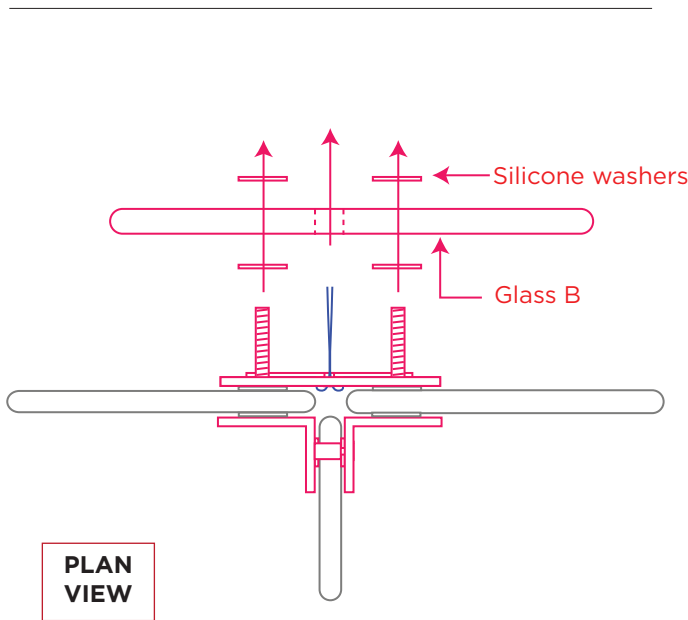
Attach LED frame and pass threaded rods through silicone washers. Ensure the cables are also chased through the feed on the frame.

FOLIO WALL LIGHT

INSTALLATION INSTRUCTIONS

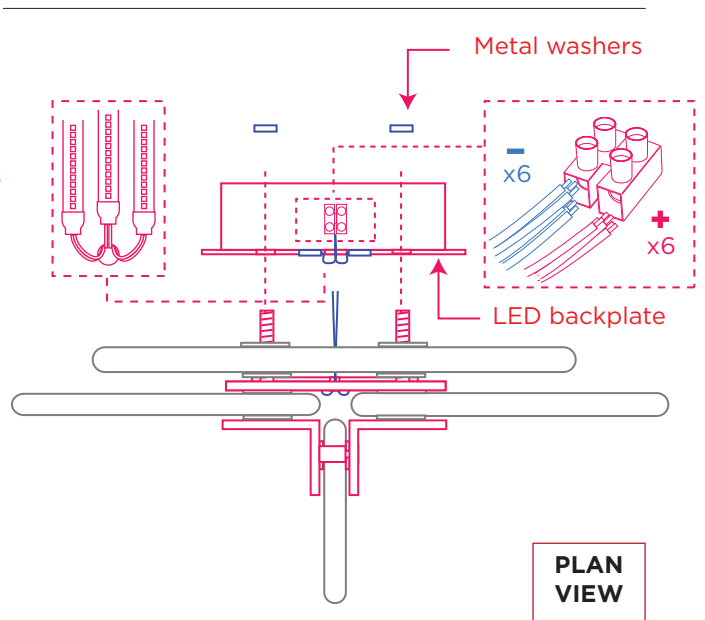
4 OF 7

BARONCELLI 



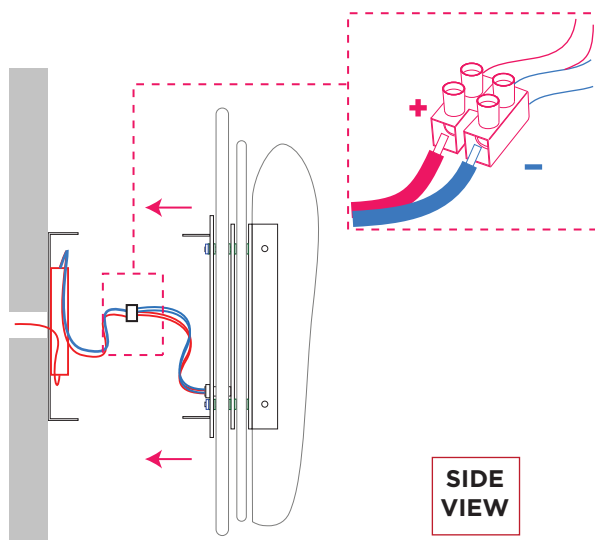
PLAN VIEW

STEP 6
Pass threaded rods and electrical cables through glass B. Ensure silicone washers are used between the glass and the frame.



PLAN VIEW

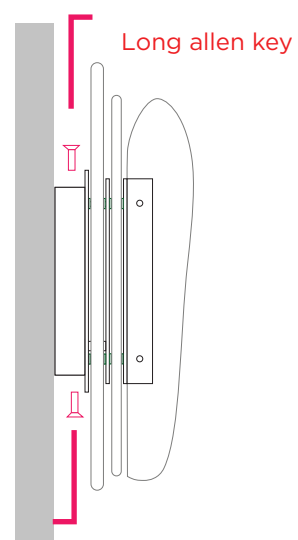
STEP 7
Pass threaded rods and electrical cables through the LED backplate. Ensure silicone washers are used between the glass and the frame. Secure threaded rods using metal washers. Connect the electrical cables to a block connector.



SIDE VIEW

This step require 2 people

STEP 8
Make electrical connections between the LED driver and the LED frame. Test lights.



SIDE VIEW

This step require 2 people

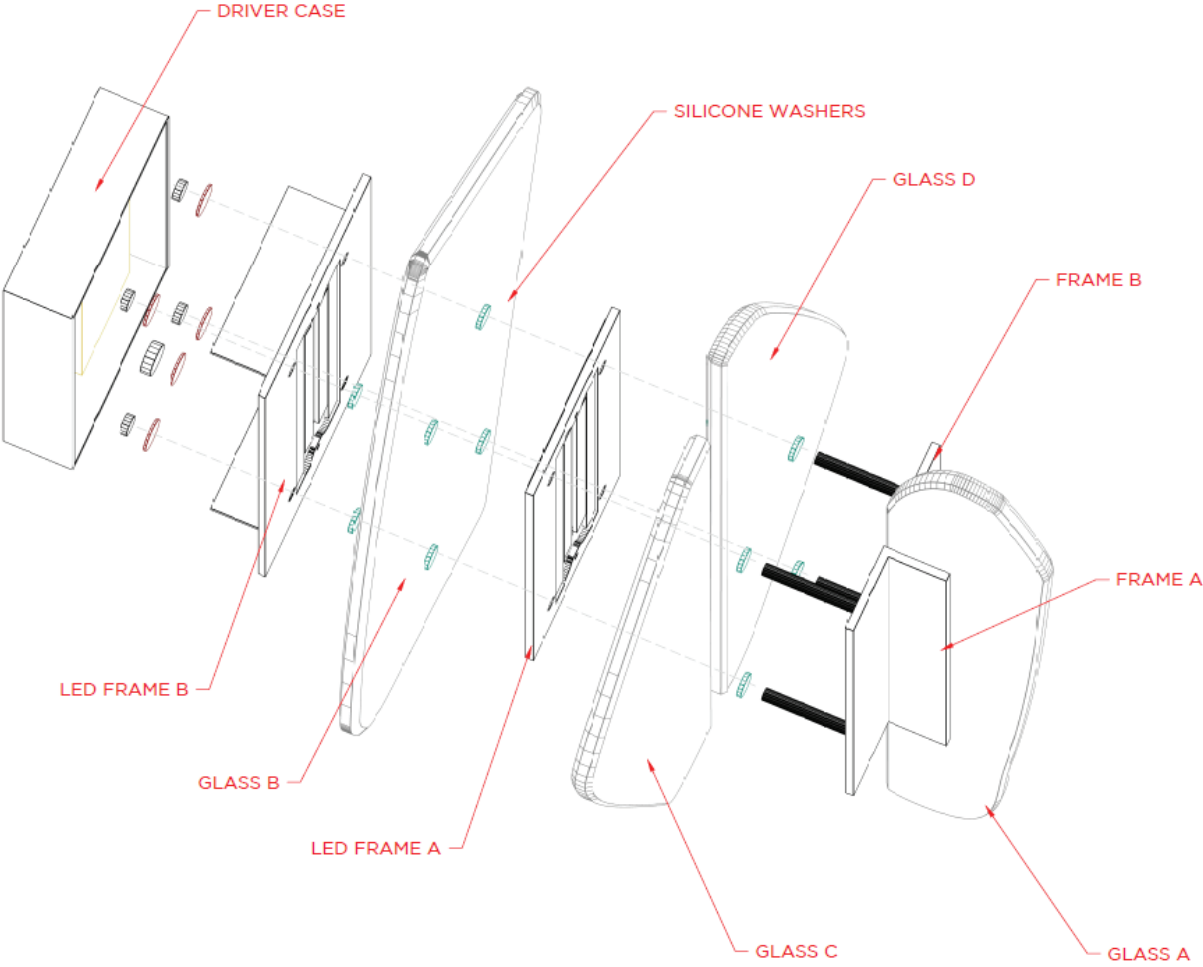
STEP 9
Secure the frame to the backplate using the long allen key.

FOLIO WALL LIGHT

INSTALLATION INSTRUCTIONS

5 OF 7

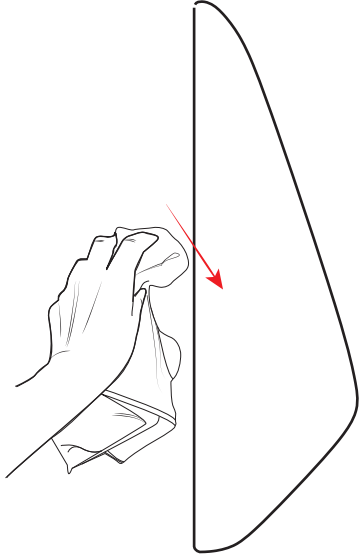
BARONCELLI 



OPERATION AND MAINTENANCE

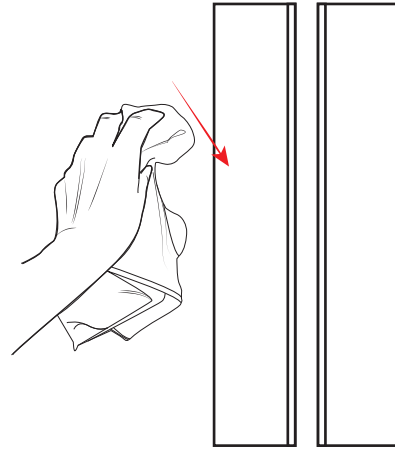
6 OF 7

BARONCELLI ⌘



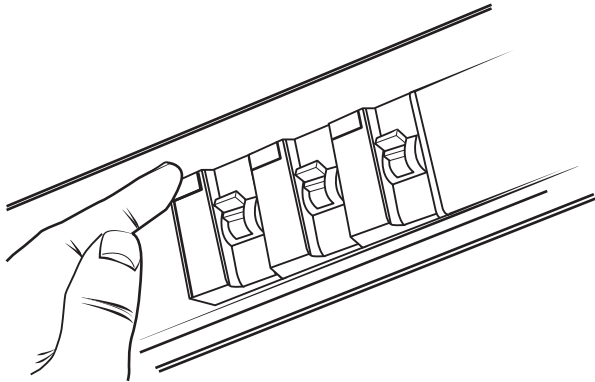
GLASS CLEANING

Glass elements should be carefully cleaned using a soft cloth.



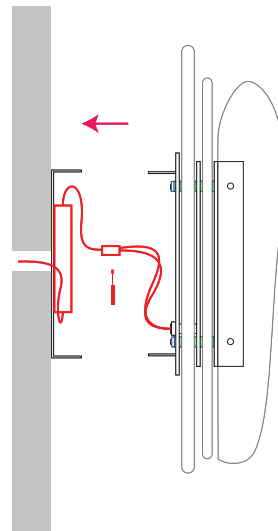
METAL CLEANING

Carefully clean metal surfaces using a soft cloth and no liquid.



STEP A TROUBLE SHOOTING - ELECTRICAL FAULTS

Check fusebaord



STEP C TROUBLE SHOOTING - ELECTRICAL FAULTS

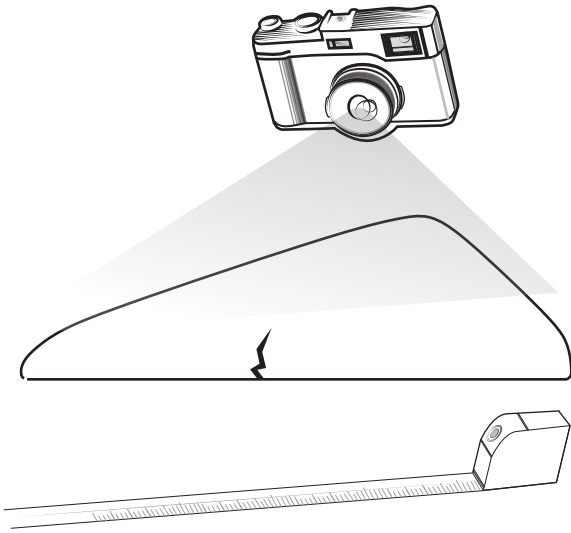
Retrace installation steps to check/test connections.

ENSURE ANY ELECTRICAL WORK IS CARRIED OUT BY A QUALIFIED ELECTRICIAN

OPERATION AND MAINTENANCE

7 OF 7

BARONCELLI ⌘



PHOTOGRAPH THE BREAKAGE

Ensure a clear side on image with a measuring tape along the breakage for scale is taken.

11