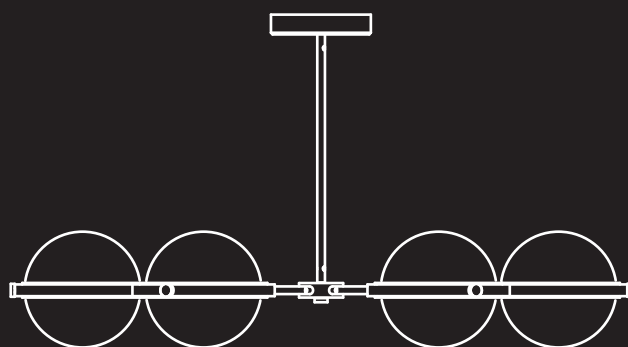
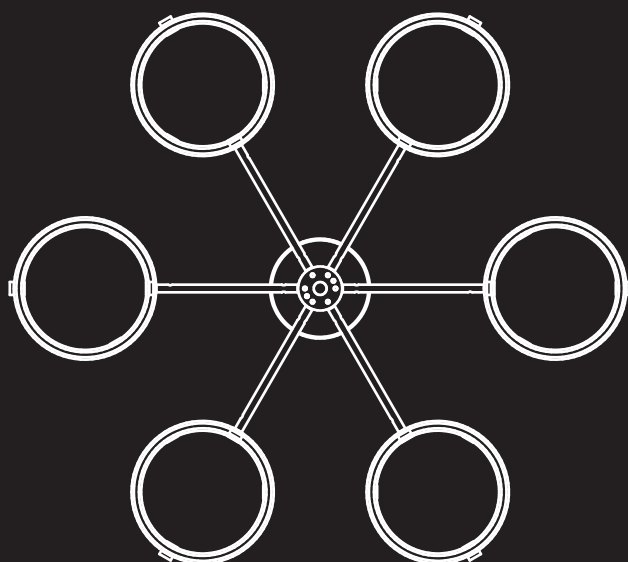


POLARIS PENDANT INSTALLATION INSTRUCTIONS 1 OF 7

BARONCELLI ⌘



WHAT IS INCLUDED

1. Ceiling canopy
2. Stem
3. Arms
4. LED Drivers

WHAT YOU WILL NEED

1. Junction box fixings
2. Screwdriver (3.5mm / 1/8" flat tip) + pliers
3. Soft cloth
4. Hex Key

6 Lights

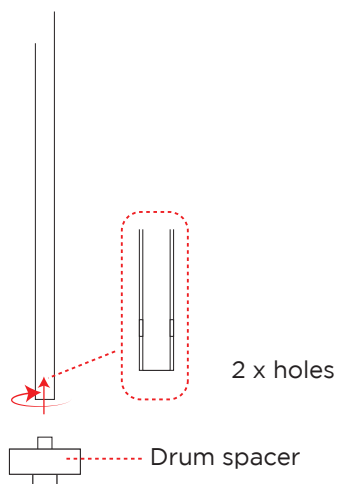
WEIGHT
12kg (27lb)

POLARIS PENDANT

INSTALLATION INSTRUCTIONS

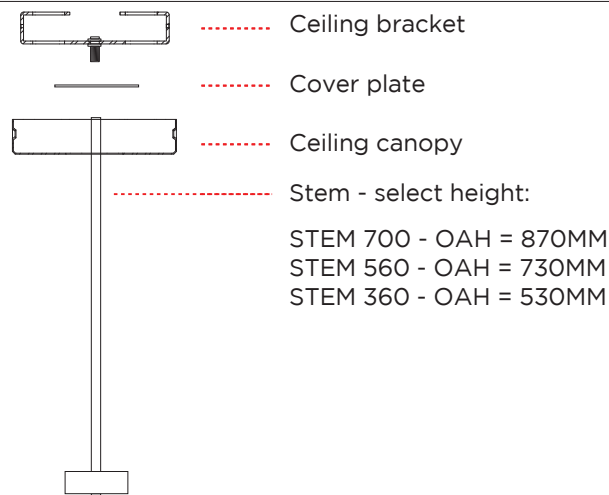
2 OF 7

BARONCELLI 



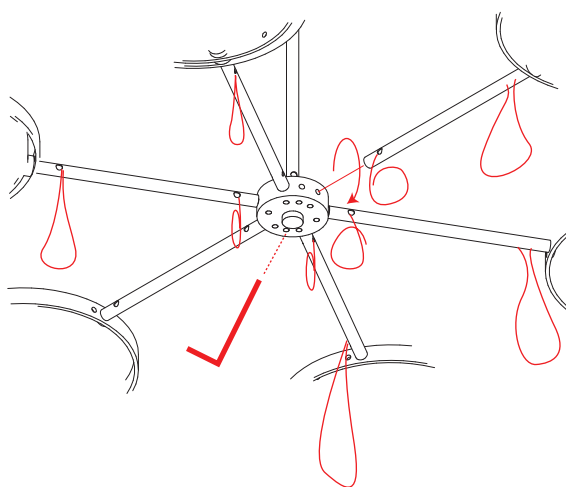
STEP 1

Assemble the central stem. Attach drum spacer to the end of the stem which has 2 side holes.



STEP 2

Three stem lengths are supplied. Select the required stem according to overall height. Pass each stem through ceiling canopy and secure onto ceiling bracket. Ensure to slide the cover plate between stem and ceiling bracket.



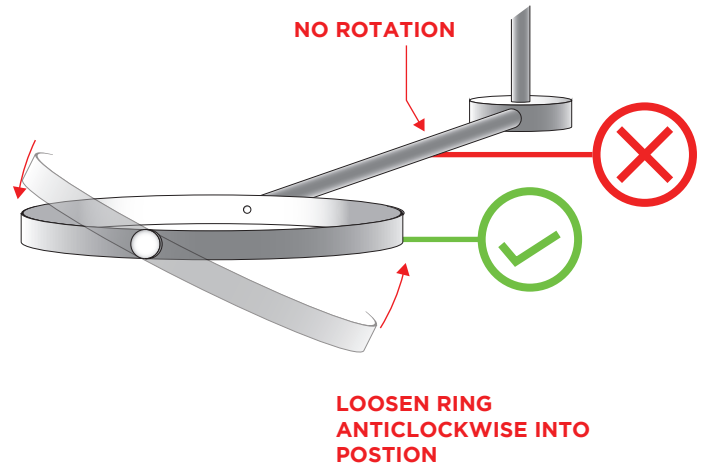
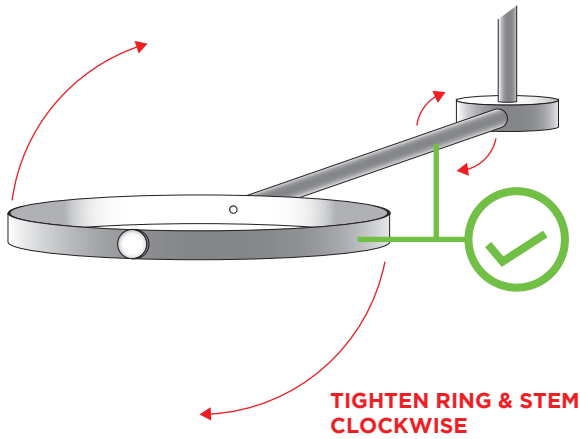
STEP 3

Attach arms into drum spacers, tighten such that the rings are parallel to the floor/ceiling and secure beneath with hex key. Keep slack loop of cable free on each arm until arms are correctly in position.

SEE STEP 4 & 5 FOR TIGHTENING

POLARIS PENDANT INSTALLATION INSTRUCTIONS 3 OF 7

BARONCELLI ⌘

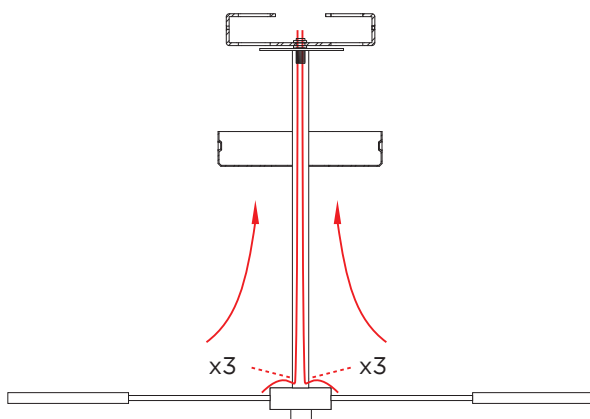


STEP 4

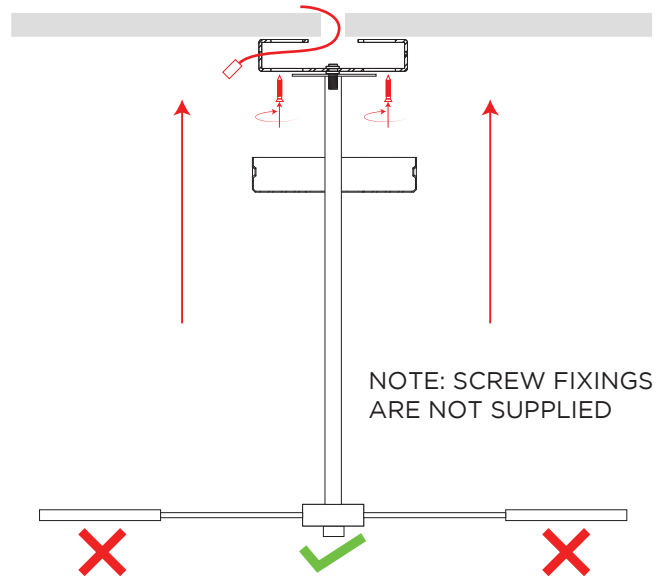
Tighten each arm until it is secure into the drum spacer. The stem can be tightened by carefully gripping the ring to turn.

STEP 5

If once tightened the ring is not in the appropriate position this can be loosened slightly to achieve this. When loosening, only the ring should be rotated, the stem must remain in position tightened against the drum spacer.



NOTE: USE CHASE WIRE



STEP 6

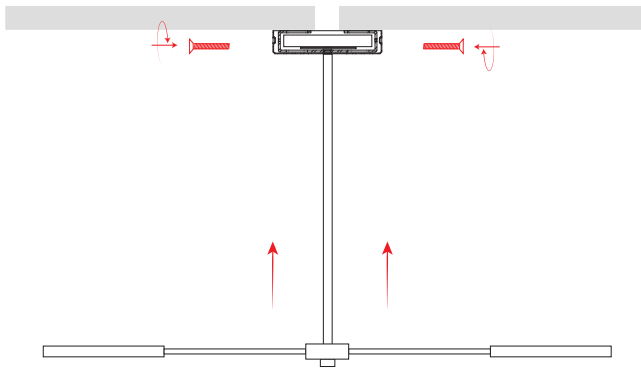
Attach arms into drum spacers, tighten such that the rings are parallel to the floor/ceiling and secure beneath with hex key. Keep loop of cable free on each arm until arms are correctly in position.

STEP 7

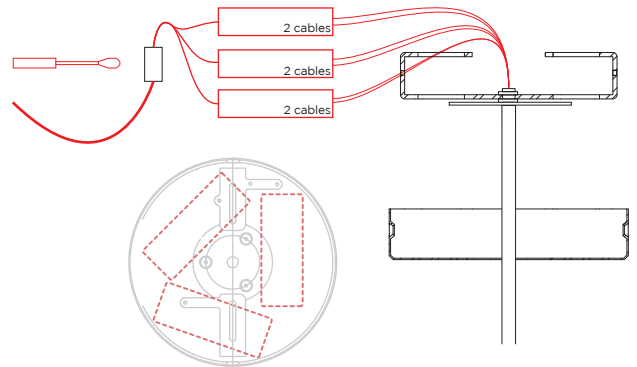
Raise pendant and secure into ceiling beam or joist. Ensure the fixings are capable of taking the relevant weight. This step will take minimum of two people. DO NOT LIFT PENDANT FROM RINGS, SUPPORT FROM DRUM SPACERS AND/OR STEMS

POLARIS PENDANT INSTALLATION INSTRUCTIONS 4 OF 7

BARONCELLI ⌘



LED DRIVER REQUIRED
DO NOT CONNECT LED TAPE TO MAINS



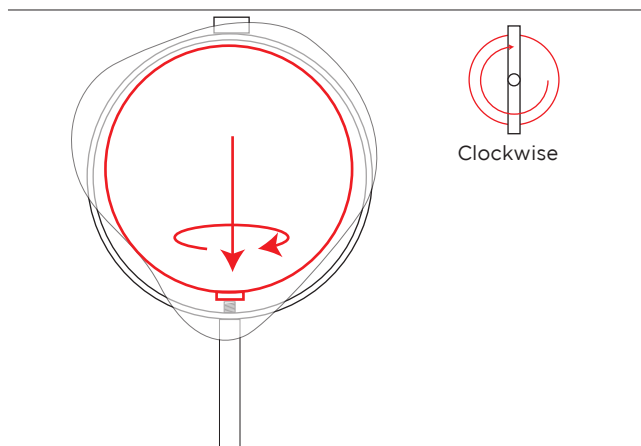
ENSURE ANY ELECTRICAL WORK IS CARRIED OUT BY A QUALIFIED ELECTRICIAN

STEP 8

Test the electrical connections and secure the outer casing into position using 2 x screws.

STEP 9

Make electrical connections, 2 cables should be connected to each driver.



DO NOT OVERTIGHTEN THE SPHERE

STEP 10

Mount the sphere on to the ring.

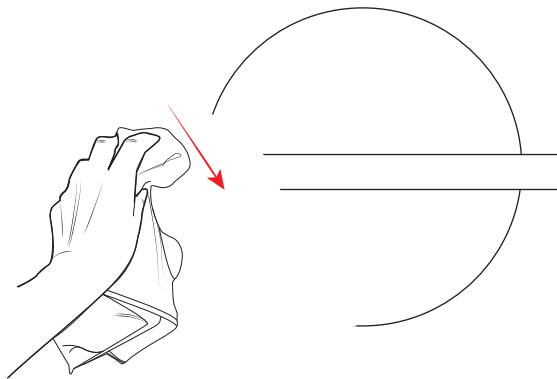
Note: ENSURE SPHERES NOT TO TOUCH LED TAPES TO AVOID ANY DIRT OR OIL MARKS.

OPERATION AND MAINTENANCE

ENSURE ANY ELECTRICAL WORK IS CARRIED OUT BY A QUALIFIED ELECTRICIAN

5 OF 7

BARONCELLI ⌘



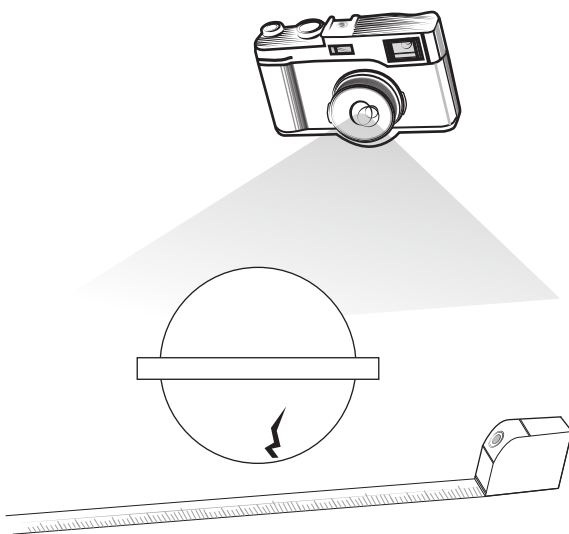
GLASS CLEANING

Glass elements should be carefully cleaned using a soft cloth and no liquid.



METAL CLEANING

Carefully clean metal surfaces using a soft cloth and no liquid.



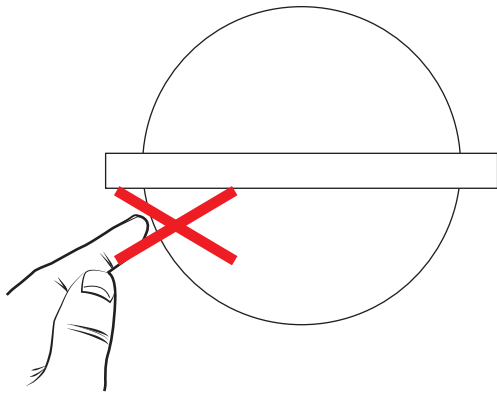
PHOTOGRAPH THE BREAKAGE

Ensure a clear side on image with a measuring tape along the breakage for scale is taken.

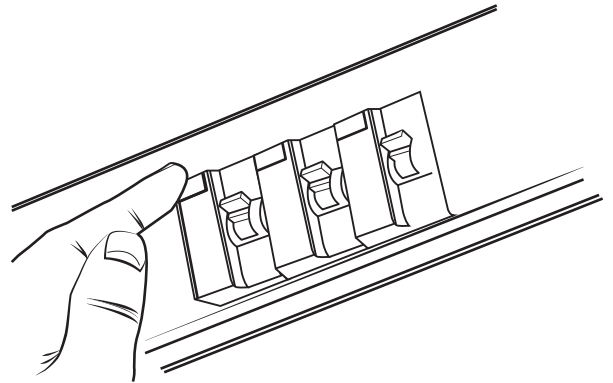
OPERATION AND MAINTENANCE

ENSURE ANY ELECTRICAL WORK IS CARRIED OUT BY A QUALIFIED ELECTRICIAN

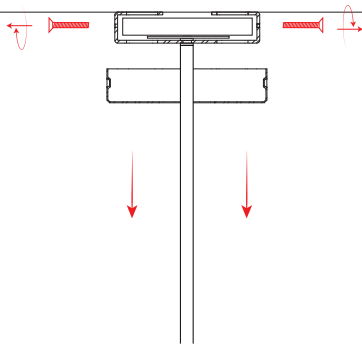
6 OF 7



DO NOT TOUCH LEDS



STEP A
TROUBLE SHOOTING - ELECTRICAL FAULTS
Check fusebaord

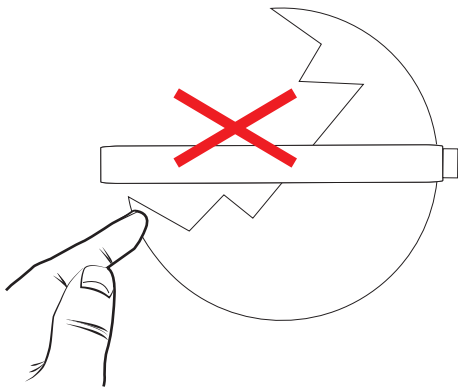


STEP B
TROUBLE SHOOTING - ELECTRICAL FAULTS
Retrace installation steps to access transformer within ceiling canopy.

GLASS REPLACEMENT - REMOVING GLASS

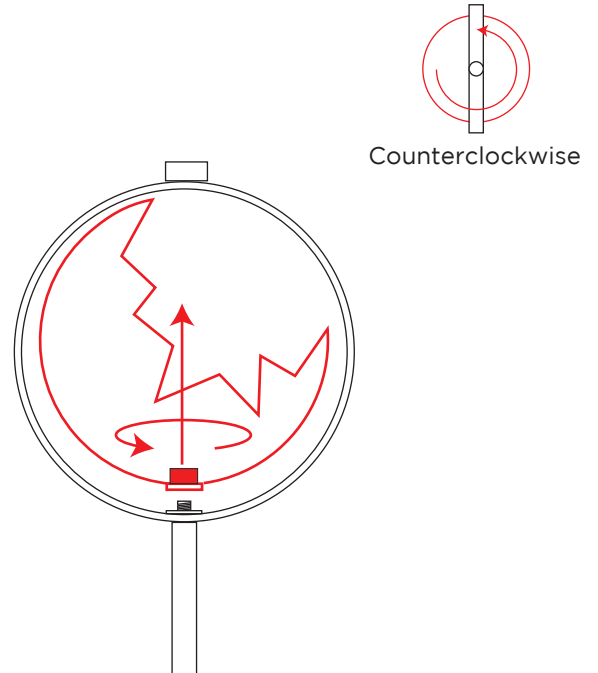
ENSURE ANY ELECTRICAL WORK IS CARRIED OUT BY A QUALIFIED ELECTRICIAN

7 OF 7



STEP 1

Switch off power.
Do not touch LED / broken glass.



STEP 2

Rotate the internal ring.

STEP 3

Follow installation guide to install new glass sphere ensuring it remains in its plastic bag until installed.