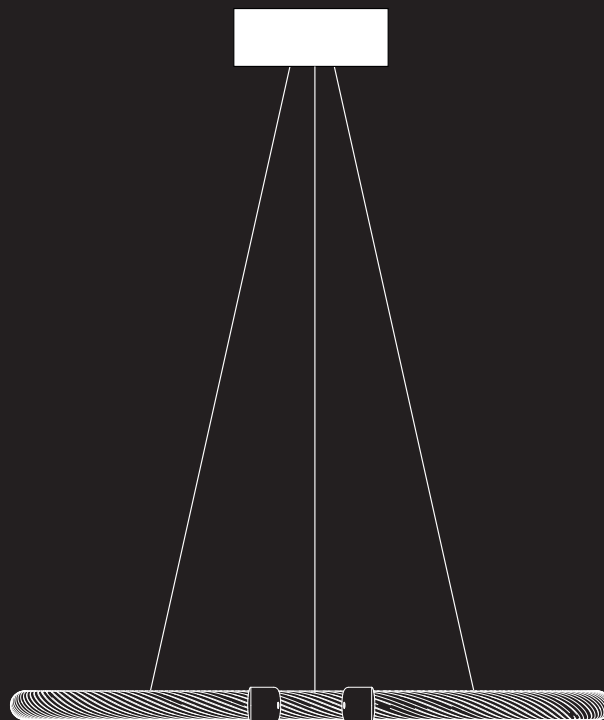
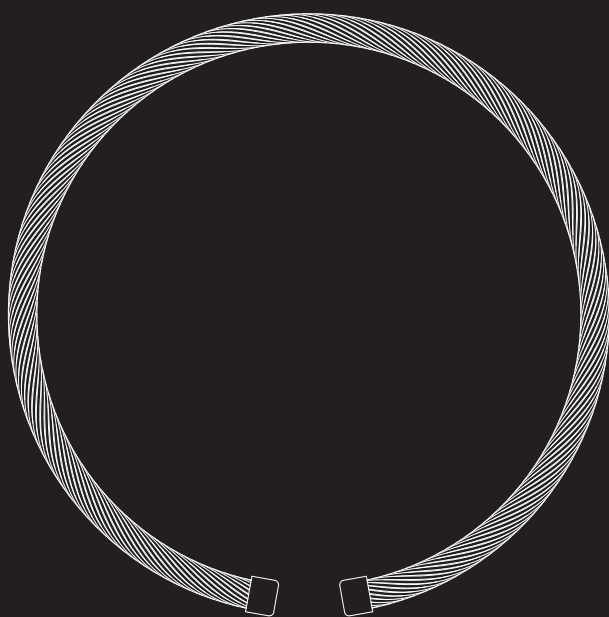


MICO PENDANT INSTALLATION INSTRUCTIONS 1 OF 5

BARONCELLI ⌘



WHAT IS INCLUDED

1. Ceiling canopy
2. Suspension cable
3. LED driver

WHAT YOU WILL NEED

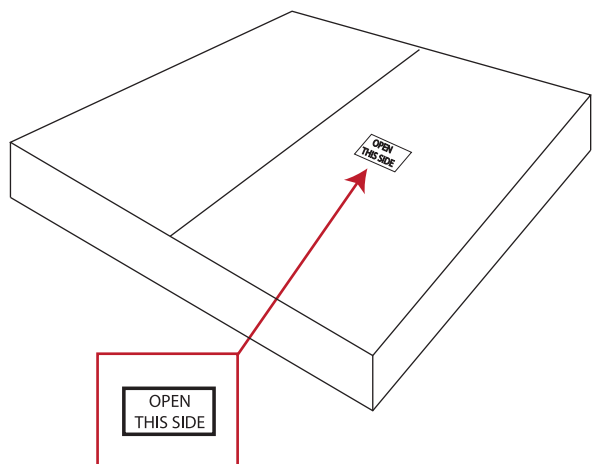
1. Screws
2. Screwdriver (3.5mm / 1/8" flat tip) + pliers
3. Soft cloth

WEIGHTS

400	4kg (8LB)
600	5kg (11LB)
800	7kg (15LB)
1000	10kg(22LB)
1200	14kg(31LB)

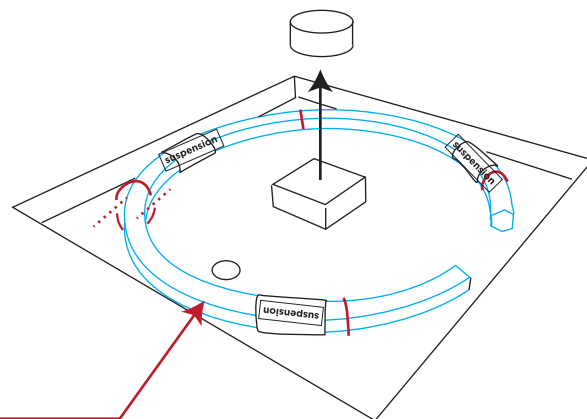
MICO PENDANT INSTALLATION INSTRUCTIONS 2 OF 5

BARONCELLI 



STEP 1

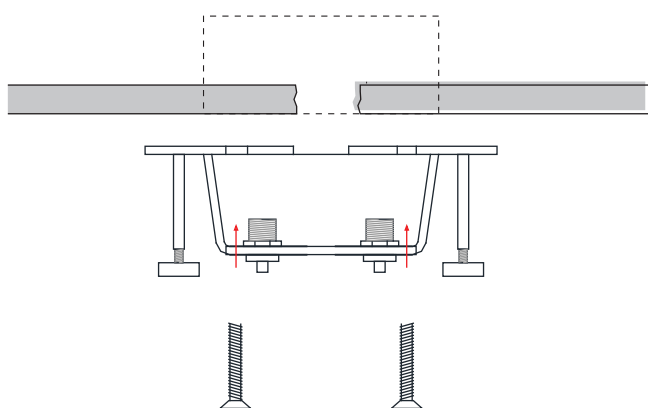
Ensure box is laid flat and opened from the correct side.



DO NOT REMOVE BLUE FORM UNTIL RING IS SUSPENDED

STEP 2

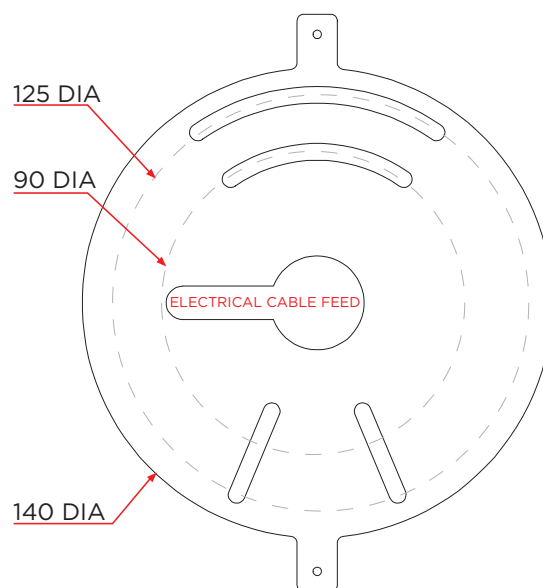
Remove canopy from centre of box. Release cable ties to remove pendant ring.
NOTE: This ring is packed to enable installation without removal of its protective packaging.



STEP 3

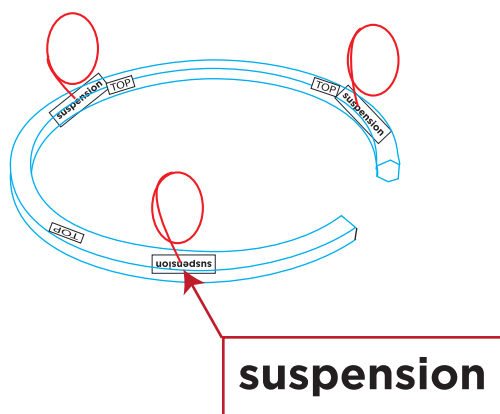
Securely fix the ceiling plate into a junction box. Ensure the fixing is capable of taking the relevant weight.

NOTE: SCREW FIXINGS ARE NOT SUPPLIED

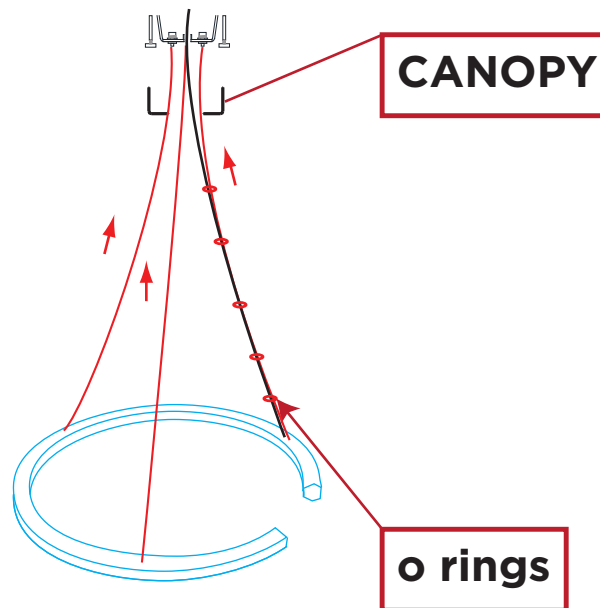


MICO PENDANT INSTALLATION INSTRUCTIONS 3 OF 5

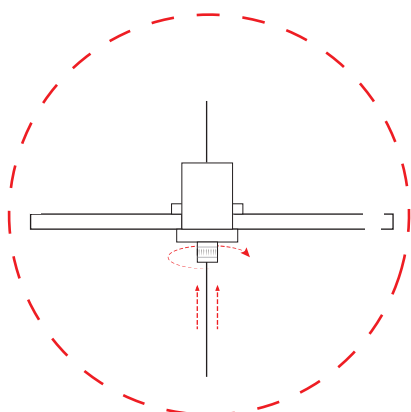
BARONCELLI 



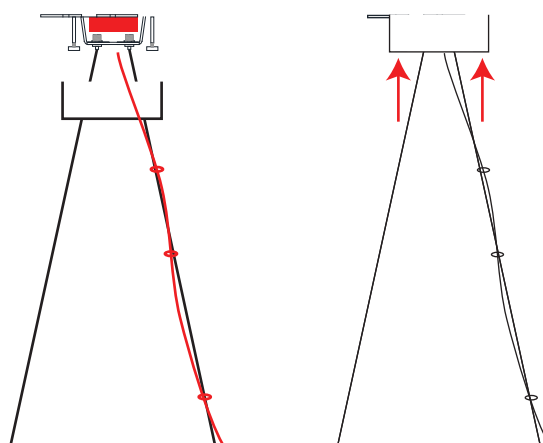
STEP 4
Remove film to access suspension cables.
Ensure the ring is correctly orientated.



STEP 5
Pass the electrical cable through the ceiling fitting and
make electrical connection to the driver.
Remove protection packaging from the ring.



GRIPPER AND SAFETY CAP
Each gripper will have a safety cap which needs to be
unscrewed a little in order to allow the cable. To
shorten a cable simply feed the cable back up into
the gripper. To lengthen a cable push the loosened
cap upwards and the gripper will disengage allowing
the cable to pass through it.



**"ENSURE ANY ELECTRICAL WORK IS CARRIED OUT BY
A QUALIFIED ELECTRICIAN"**

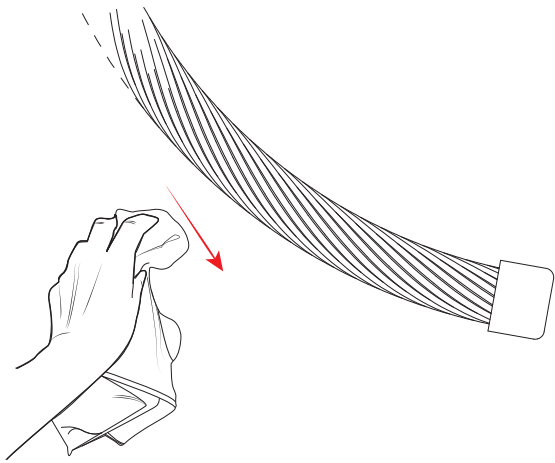
STEP 6
Pass the electrical cable through the ceiling fitting and
make electrical connection. Test the lighting. Raise and
secure ceiling canopy.

ENSURE ANY ELECTRICAL WORK IS CARRIED OUT BY A QUALIFIED ELECTRICIAN

OPERATION AND MAINTENANCE

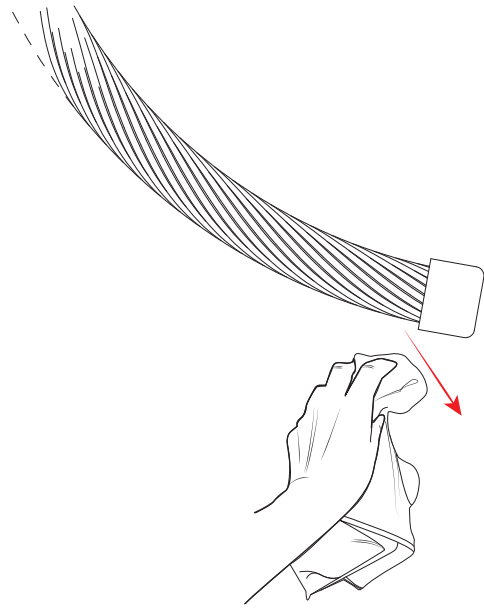
4 OF 5

BARONCELLI ⌘



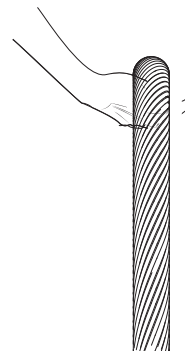
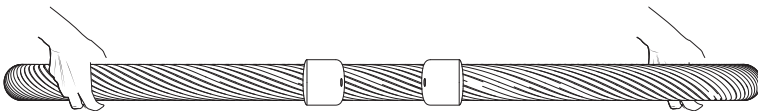
GLASS CLEANING

Glass elements should be carefully cleaned using a soft cloth.



METAL CLEANING

Carefully clean metal surfaces using a soft cloth and no liquid.



HANDLING

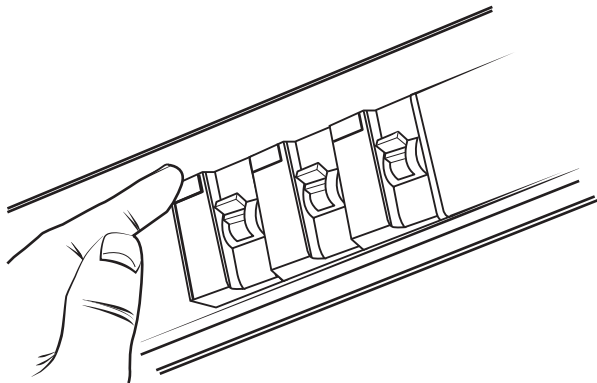
Hold ring flat at all times, do not hold at an angle from the glass as this will put pressure on the LED tape.

ENSURE ANY ELECTRICAL WORK IS CARRIED OUT BY A QUALIFIED ELECTRICIAN

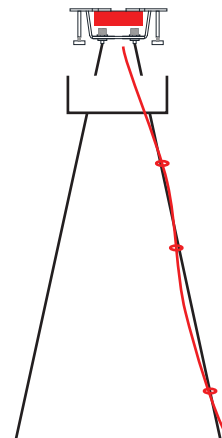
OPERATION AND MAINTENANCE

5 OF 5

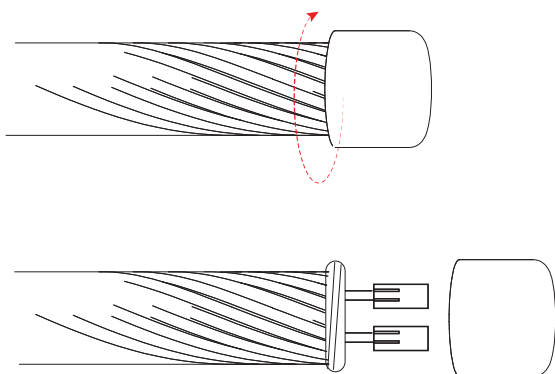
BARONCELLI



STEP A
TROUBLE SHOOTING - ELECTRICAL FAULTS
Check fusebaord



STEP B
TROUBLE SHOOTING - ELECTRICAL FAULTS
Lower ceiling canopy. Check/test connections.



STEP C
TROUBLE SHOOTING - ELECTRICAL FAULTS
Remove the cap and check electrical connection.